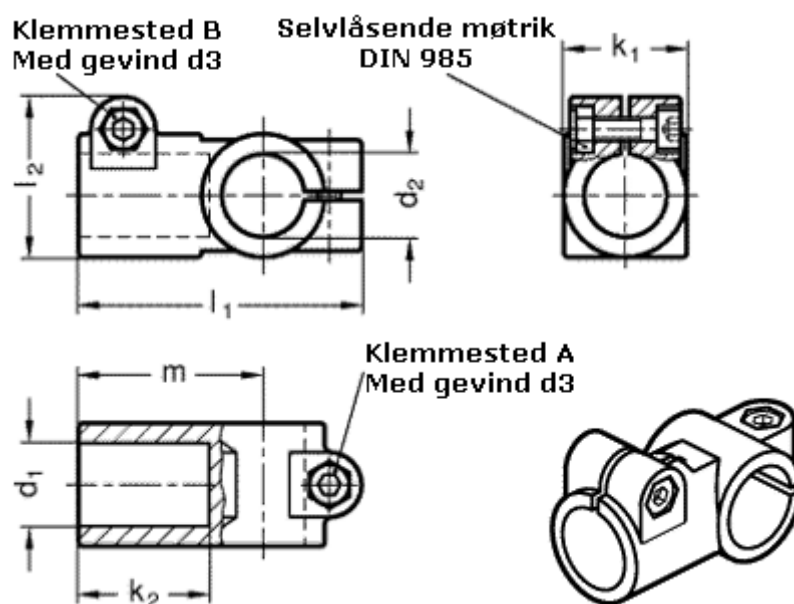


Article number: 20192B48B48652SW

Description: E+G

T-angle clamps GN192-B48-B48-65-2-SW

Measures



d1 = B48

d2 = B48

d3 = M10

k1 = 65

k2 = 75.0

l1 = 148

l2 = 77.5

m = 103